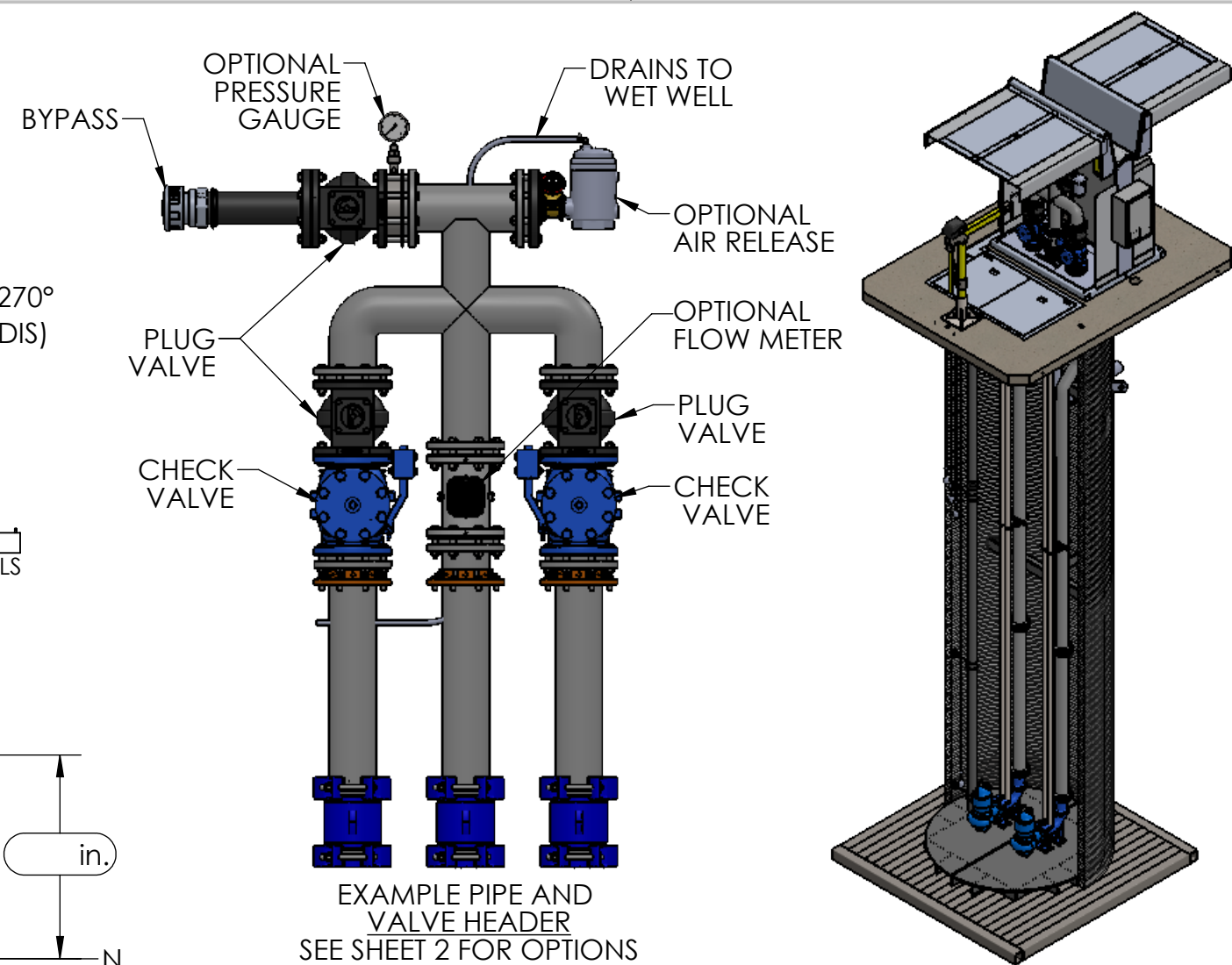
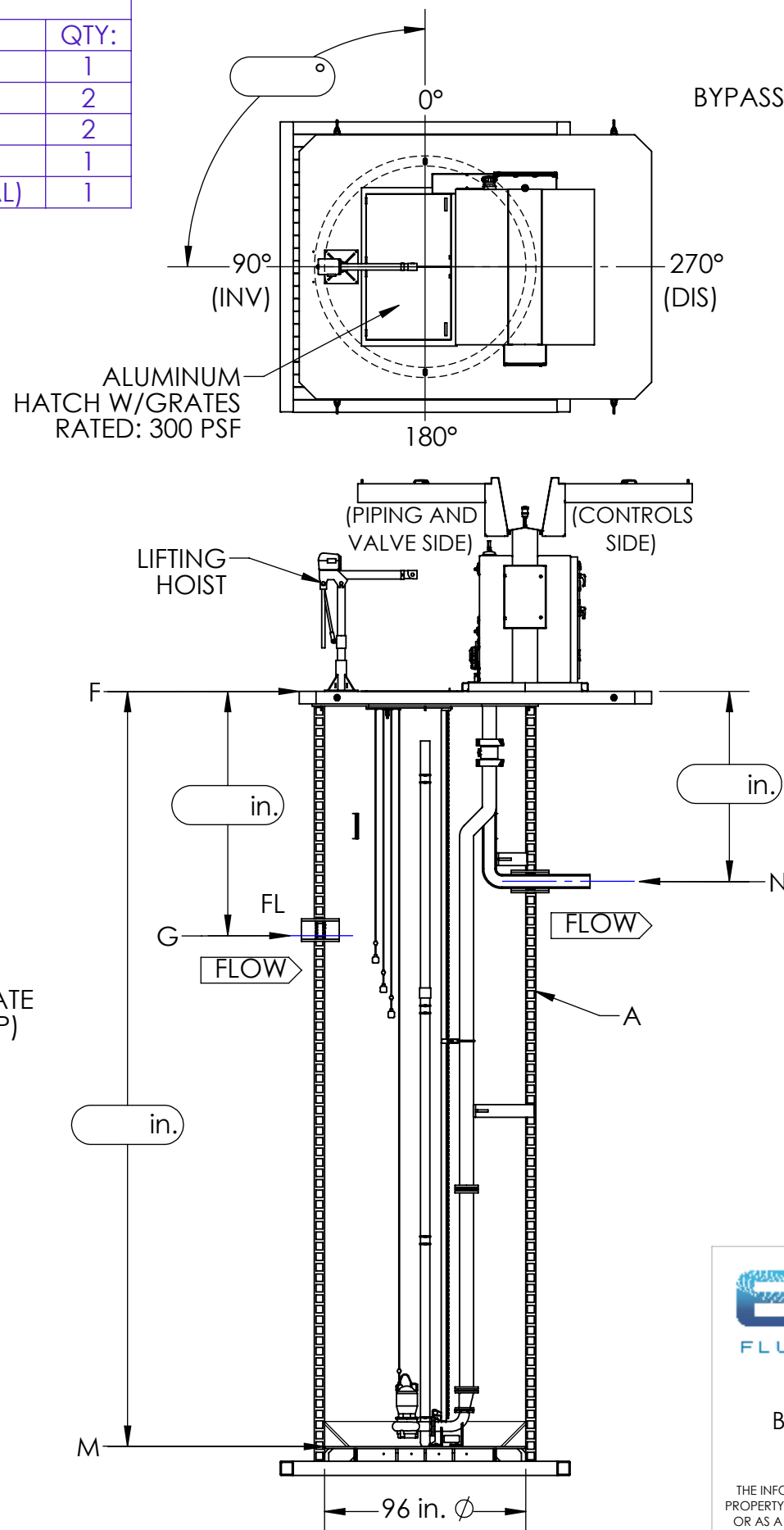
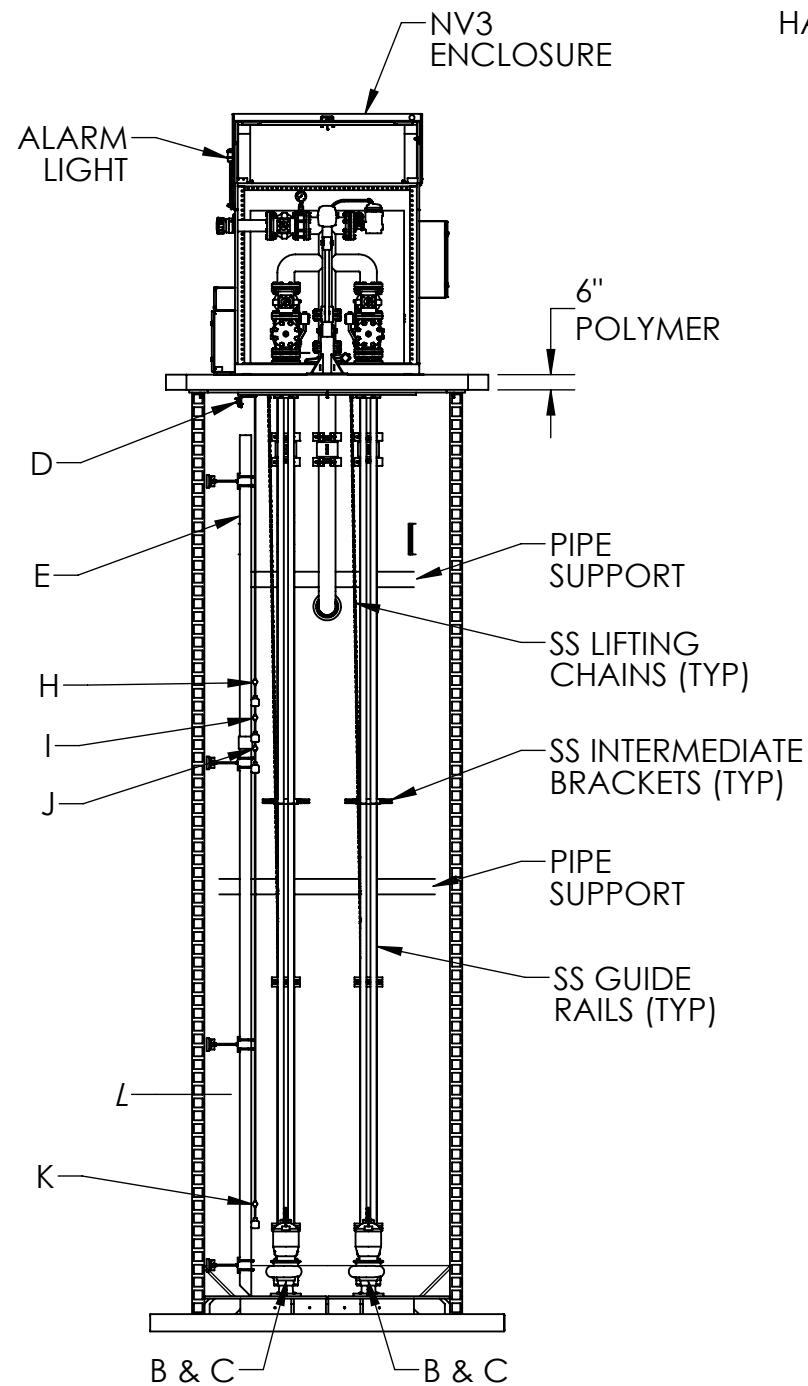


EXCEL FLUID GROUP PUMP STATION		
ITEM:	DESCRIPTION:	QTY:
A	WEHOPIPE HDPE BASIN Ø96"	1
B	SUBMERSIBLE PUMP	2
C	BASE ELBOW	2
D	FLOAT BRACKET ASM (#FLOATS OPTIONAL)	1
E	TRANSDUCER W/STILLING TUBE ASM (OPTIONAL)	1

NOTE:
1) CONFIRM INVERT PIPE SIZE, MATERIAL, AND ORIENTATION



EXCEL FLUID GROUP STATION ELEVATION TABLE		
ITEM:	DESCRIPTION:	ELEVATION
F	TOP OF STATION	
G	INVERT (CONFIRM SIZE/TYPE)	
H	HIGH WATER ALARM FLOAT	
I	LAG PUMP ON FLOAT	
J	LEAD PUMP ON FLOAT	
K	PUMPS OFF FLOAT	
L	FLOAT (OPTIONAL 5TH FLOAT)	
M	FLOOR OF WELL	
N	DISCHARGE	

5350 WEST 137TH ST.
BROOK PARK, OH 44142

PROPRIETARY AND CONFIDENTIAL

THE INFORMATION CONTAINED IN THIS DRAWING IS THE SOLE PROPERTY OF EXCEL FLUID GROUP. ANY REPRODUCTION IN PART OR AS A WHOLE WITHOUT WRITTEN PERMISSION IS PROHIBITED.

UNLESS OTHERWISE SPECIFIED: TITLE:

DIMENSIONS ARE IN INCHES
TOLERANCES:
FRACTIONAL: ±1/16"
ANGULAR: ±0.5°
DECIMAL: ±.06

DRAWN BY: DWG. NO.

DATE: 7200037

SCALE: 1:75 SIZE: B REV: 0 SHEET: 1 of 2

DO NOT SCALE DRAWING

4

3

2

1

EXCEL FLUID GROUP NV3 PUMP STATION SELECTIONS:


NV3 ENCLOSURE WRAP SELECTION	
NV3 ALUMINUM	NV3
NV3 ARBORVITAE	NV3A
NV3 SANDSTONE	NV3S
NV3 BRICK	NV3B
PIPE AND VALVE SIZE (IN) SELECTION	
6" PIPE SIZE	6
8" PIPE SIZE	8
WET WELL AND HEADER PIPE & DISCHARGE MATERIAL SELECTION	
DUCTILE IRON	D
HDPE	H
STAINLESS STEEL (304)	S
PVC (SCH80)	P
WET WELL SIZE SELECTION (DIA" X DEPTH") - SEE NOTE 1	
EXAMPLE: Ø96" X 180" DEEP = 96180	(DIGITS)
PIPE HEADER AND VALVE SELECTION - SEE NOTE 2	
BYPASS	01
BYPASS, AIR RELEASE	02
BYPASS, DIGITAL GAUGE	03
BYPASS, AIR RELEASE, DIGITAL GAUGE	04
BYPASS, FLOW METER	05
BYPASS, FLOW METER, DIGITAL GAUGE	06
BYPASS, FLOW METER, AIR RELEASE	07
BYPASS, FLOW METER, AIR RELEASE, DIGITAL GAUGE	08
BYPASS, DIAL GAUGE	09
BYPASS, AIR RELEASE, DIAL GAUGE	10
BYPASS, FLOW METER, DIAL GAUGE	11
BYPASS, FLOW METER, AIR RELEASE, DIAL GAUGE	12
SUBMERSIBLE PUMP BRAND SELECTION	
SUBMERSIBLE PUMP BRAND	(WRITE-IN)
SUBMERSIBLE PUMP TYPE SELECTION	
NON-CLOG PUMP	NC
EXPLOSION PROOF NON-CLOG PUMP	XXNC
AIR FILLED SOLIDS HANDLING PUMP	ASH
EXPLOSION PROOF AIR FILLED SOLID HANDLING PUMP	XASH
AIR FILLED CHOPPER PUMP	ASC
EXPLOSION PROOF AIR FILLED CHOPPER PUMP	XASC
OIL FILLED SOLIDS HANDLING PUMP	OSH
EXPLOSION PROOF OIL FILLED SOLIDS HANDLING PUMP	XOSH
OIL FILLED CHOPPER PUMP	OSC

Additional Comments (Preferences, etc.):

LEVEL CONTROL SELECTIONS	
4 FLOAT LEVEL CONTROL	4F
5 FLOAT LEVEL CONTROL	5F
SUBMERSIBLE TRANSDUCER LEVEL CONTROL	T
SUBMERSIBLE TRANSDUCER LEVEL CONTROL w/2 FLOAT BACKUP	T2F
SUBMERSIBLE TRANSDUCER LEVEL CONTROL w/4 FLOAT BACKUP	T4F
INCOMING POWER SELECTION	
208 VOLT/SINGLE PHASE	208V1PH
208 VOLT/THREE PHASE	208V3PH
230 VOLT/SINGLE PHASE	230V1PH
230 VOLT/THREE PHASE	230V3PH
460 VOLT/THREE PHASE	460V3PH
MOTOR STARTER OPTIONS SELECTION	
ACROSS THE LINE STARTERS	ATL
VARIABLE FREQUENCY DRIVES	VFD
SOFT STARTERS	SS
FLOW & HEAD SELECTION (GPM @ TDH)	
EXAMPLE: 150 GPM @ 90 TDH = 150F90	(DIGITS)
ADDITIONAL ADD-ON SELECTIONS	
WET WELL AERATION BLOWER	I
AREA LIGHT	J
ALUMINUM LADDER	K
STAINLESS STEEL LADDER	L
CAST-IN STEPS	M
INLET GRINDER W/GUIDE RAILS (Ø72" MIN WELL ONLY)	N
INLET BAFFLE	O
INLET TRASH BASKET W/GUIDE RAILS	P
ELECTRICAL METER BASE	Q
DISCONNECT SWITCH	R
DIESEL GENERATOR	S
NATURAL GAS GENERATOR	T
MANUAL TRANSFER SWITCH	U
AUTOMATIC TRANSFER SWITCH	V
POWER PEDESTAL	W
GENERATOR RECEPTACLE	X

NOTES:

- 1) AVAILABLE WET WELL SIZE: Ø96"
- 2) ALL PIPE HEADER SELECTIONS INCLUDE CHECK VALVES AND PLUG VALVES

 <p>5350 WEST 137TH ST. BROOK PARK, OH 44142</p> <p>PROPRIETARY AND CONFIDENTIAL</p> <p><small>THE INFORMATION CONTAINED IN THIS DRAWING IS THE SOLE PROPERTY OF EXCEL FLUID GROUP. ANY REPRODUCTION IN PART OR AS A WHOLE WITHOUT WRITTEN PERMISSION IS PROHIBITED.</small></p>	UNLESS OTHERWISE SPECIFIED:	TITLE:
	<p>DIMENSIONS ARE IN INCHES TOLERANCES: FRACTIONAL: ±1/16" ANGULAR: ±0.5° DECIMAL: ±.06</p>	<p>ASM, DUPLEX NV3 HDPE PUMP STATION</p>
<p>DATE:</p>	DRAWN BY:	DWG. NO.
<p>SCALE: NA</p>	DO NOT SCALE DRAWING	<p>7200037</p>
		<p>SIZE: B REV: 0 SHEET: 2 of 2</p>

4

3

2

1