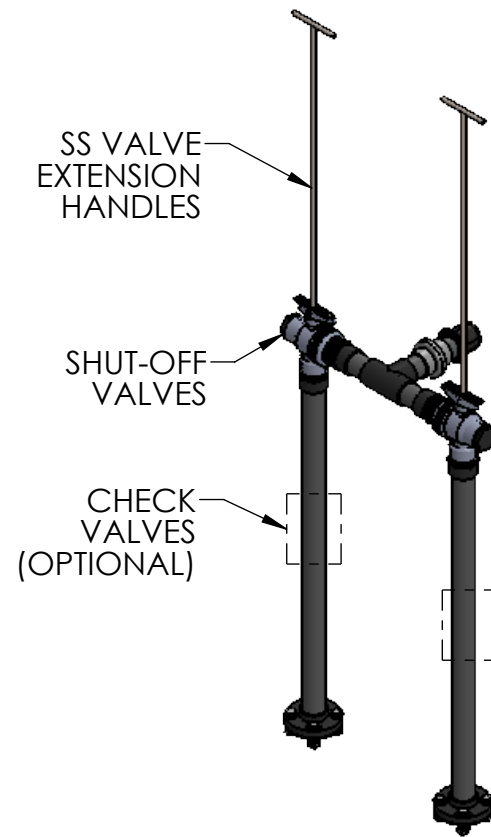
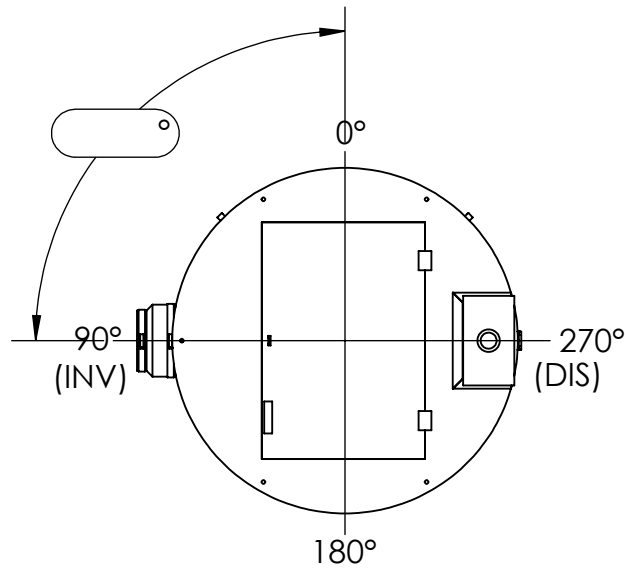
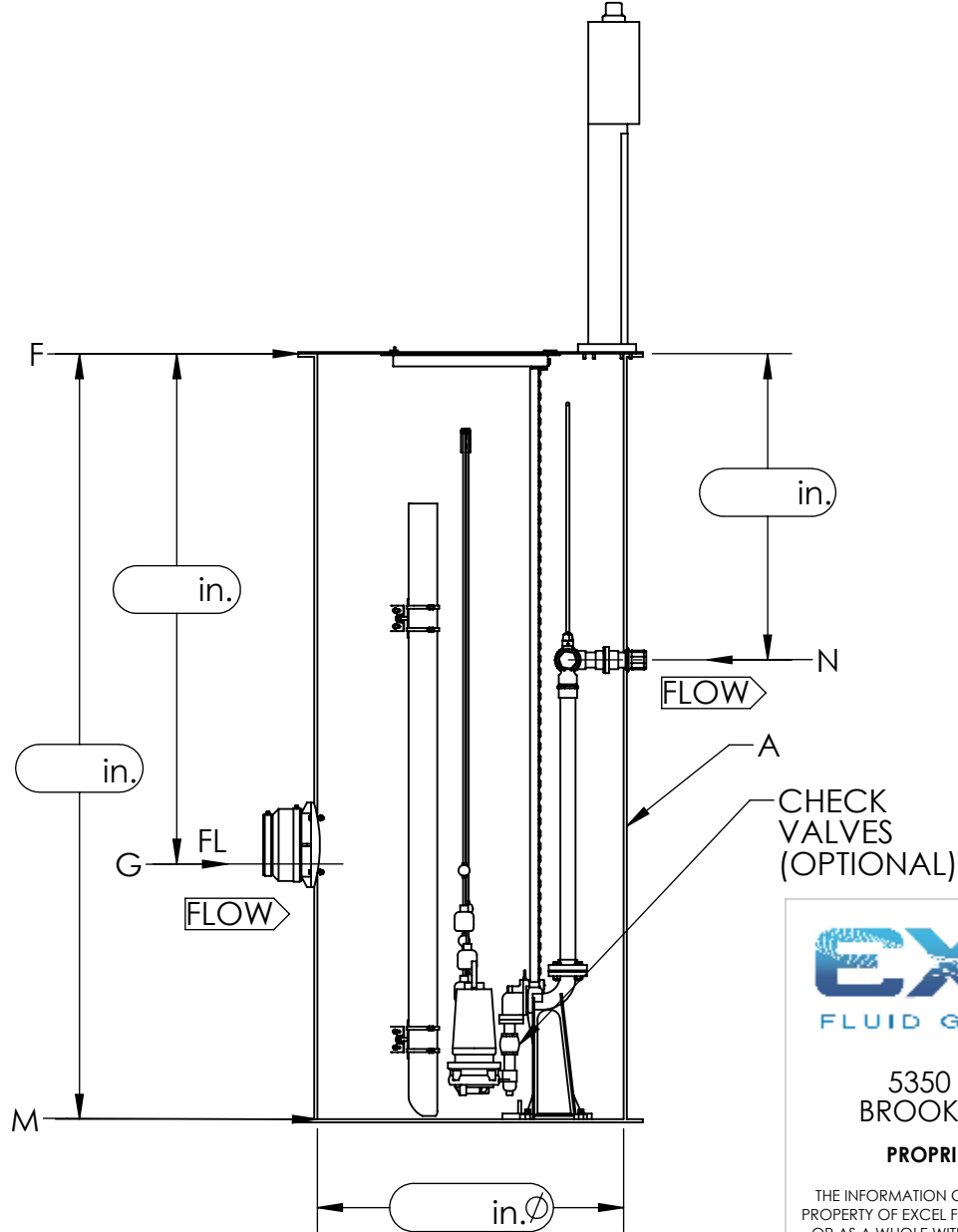
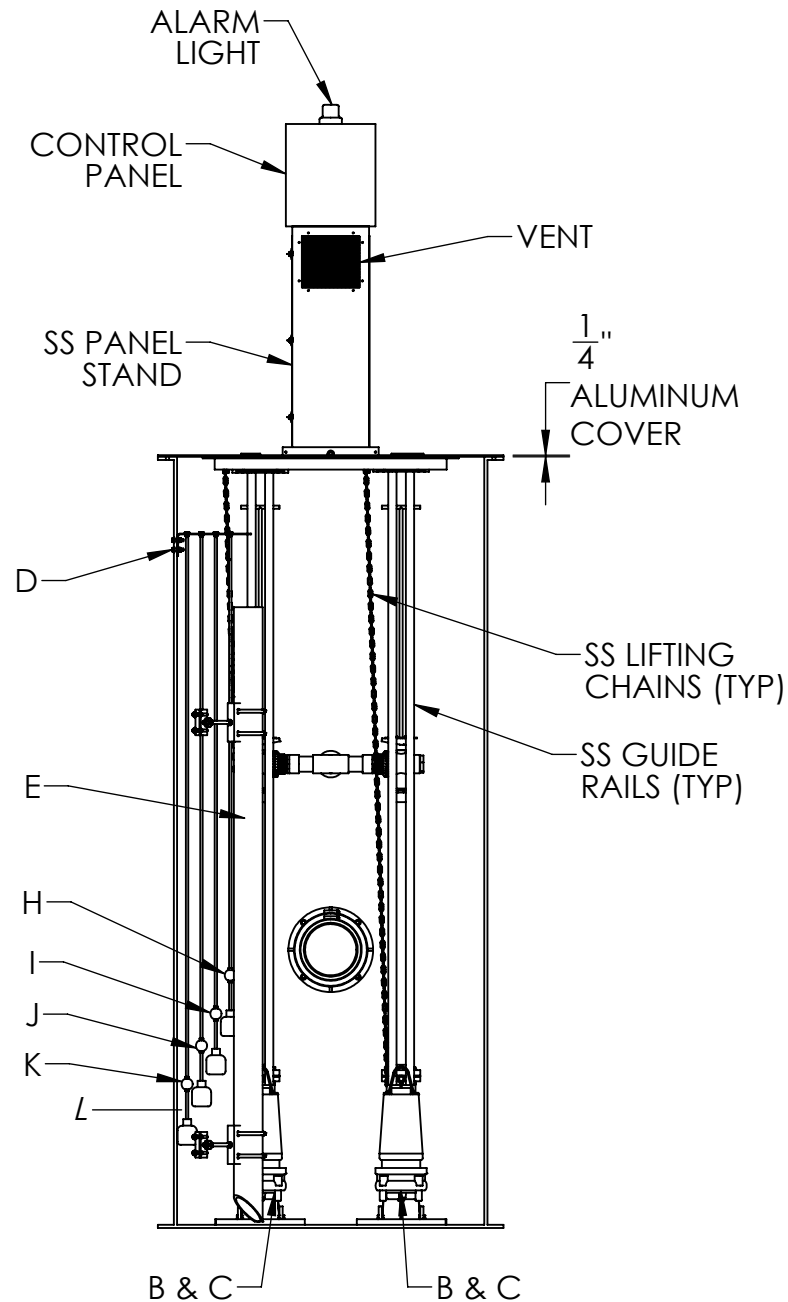
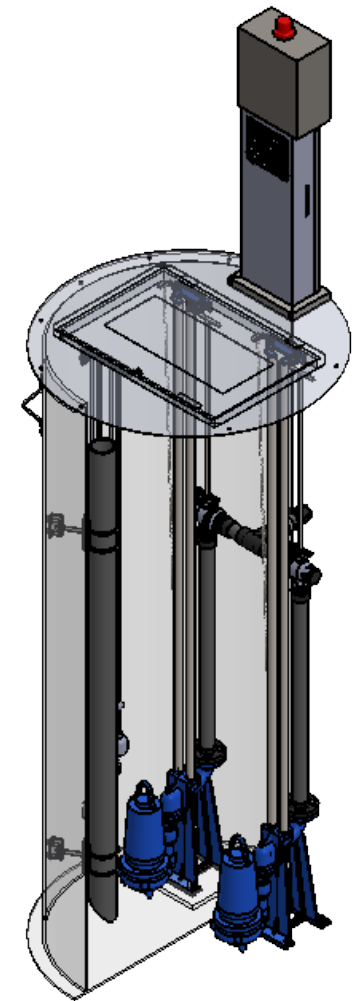


EXCEL FLUID GROUP PUMP STATION		
ITEM:	DESCRIPTION:	QTY:
A	FIBERGLASS BASIN (Ø36", Ø48", Ø60", Ø72", OR Ø96")	1
B	SUBMERSIBLE PUMP	1 or 2
C	BASE ELBOW	2
D	FLOAT BRACKET ASM (#FLOATS OPTIONAL)	1
E	TRANSDUCER W/STILLING TUBE ASM (OPTIONAL)	1

NOTES:
 1) CONFIRM INVERT PIPE SIZE, MATERIAL, AND ORIENTATION
 2) DUPLEX STATION IS SHOWN. SIMPLEX PUMP STATION IS OPTIONAL



EXAMPLE PIPE AND VALVE HEADER
SEE SHEET 2 FOR OPTIONS



EXCEL FLUID GROUP STATION ELEVATION TABLE		
ITEM:	DESCRIPTION:	ELEVATION
F	TOP OF STATION	
G	INVERT (CONFIRM SIZE/TYPE)	
H	HIGH WATER ALARM FLOAT	
I	LAG PUMP ON FLOAT	
J	LEAD PUMP ON FLOAT	
K	PUMPS OFF FLOAT	
L	FLOAT (OPTIONAL 5TH FLOAT)	
M	FLOOR OF BASIN	
N	DISCHARGE	

EXCEL
FLUID GROUP, LLC

5350 WEST 137TH ST.
BROOK PARK, OH 44142

PROPRIETARY AND CONFIDENTIAL

THE INFORMATION CONTAINED IN THIS DRAWING IS THE SOLE PROPERTY OF EXCEL FLUID GROUP. ANY REPRODUCTION IN PART OR AS A WHOLE WITHOUT WRITTEN PERMISSION IS PROHIBITED.

UNLESS OTHERWISE SPECIFIED:

DIMENSIONS ARE IN INCHES
 TOLERANCES:
 FRACTIONAL: ±1/16"
 ANGULAR: ±0.5°
 DECIMAL: ±.06

DRAWN BY:

DATE:

SCALE: 1:30

DO NOT SCALE DRAWING

TITLE:

ASM, FRP PUMP STATION

DWG. NO.

7200031

SIZE: B

REV: 0

SHEET: 1 of 2

EXCEL FLUID GROUP FIBERGLASS PUMP STATION SELECTIONS:

PUMP STATION LAYOUT ⬇		
STRAIGHT BASIN	SB	
HATCH TYPE SELECTION ⬇		
ALUMINUM	AL	
FIBERGLASS	FH	
H20 TRAFFIC RATED	TR	
DISCHARGE PIPE & VALVE SIZE SELECTION ⬇		
2 IN	2	
3 IN	3	
4 IN	4	
6 IN	6	
PIPE MATERIAL SELECTION ⬇		
DUCTILE IRON	D	
HDPE	H	
STAINLESS STEEL	S	
PVC	P	
WET WELL SIZE SELECTION (DIA" X DEPTH") - SEE NOTE 1 ⬇		
EXAMPLE: Ø48" X 96" DEEP = 4896	(DIGITS)	
[SIMPLEX: 30"MIN; 48"MAX DUPLEX: 36"MIN; 96"MAX]		
PUMP STATION STYLE SELECTION ⬇		
SIMPLEX	S	
DUPLEX	D	
PIPE HEADER AND VALVE SELECTION - SEE NOTE 2 ⬇		
BYPASS	01	
ANTI-SYPHON VALVE	13	
BYPASS, ANTI-SYPHON VALVE	14	
ADDITIONAL ADD-ON SELECTIONS ⬇		
WET WELL AERATION BLOWER	I	
ALUMINUM LADDER	K	
STAINLESS STEEL LADDER	L	
INLET BAFFLE	O	
* INLET TRASH BASKET W/GUIDE RAILS	P	
SUBMERSIBLE PUMP BRAND SELECTION ⬇		
SUBMERSIBLE PUMP BRAND	(WRITE-IN)	

Additional Comments (Preferences, etc.):

NOTES:

- 1) BASIN DEPTH PROVIDED IN INCREMENTS OF 6"
- 2) PUMP STATION ADD-ON LETTERS ARE INCLUDED AT THE END OF YOUR MODEL NUMBER
- 3) * INLET TRASH BASKET W/GUIDE RAILS CANNOT BE USED ON BASINS SMALLER THAN Ø72"
- 4) ** 3 FLOAT LEVEL CONTROL USED IN SIMPLEX STATION ONLY

SUBMERSIBLE PUMP TYPE SELECTION ⬇

GRINDER PUMP	GR	
EXPLOSION PROOF GRINDER PUMP	XGR	
SEWAGE EJECTOR PUMP	EJ	
EXPLOSION SEWAGE EJECTOR PUMP	XEJ	
NON-CLOG PUMP	NC	
EXPLOSION PROOF NON-CLOG PUMP	XXNC	
AIR FILLED SOLIDS HANDLING PUMP	ASH	
EXPLOSION PROOF AIR FILLED SOLID HANDLING PUMP	XASH	
AIR FILLED CHOPPER PUMP	ASC	
EXPLOSION PROOF AIR FILLED CHOPPER PUMP	XASC	
OIL FILLED SOLIDS HANDLING PUMP	OSH	
EXPLOSION PROOF OIL FILLED SOLIDS HANDLING PUMP	XOSH	
OIL FILLED CHOPPER PUMP	OSC	
LEVEL CONTROL SELECTIONS ⬇		
** 3 FLOAT LEVEL CONTROL	3F	
4 FLOAT LEVEL CONTROL	4F	
5 FLOAT LEVEL CONTROL	5F	
SUBMERSIBLE TRANSDUCER LEVEL CONTROL	T	
SUBMERSIBLE TRANSDUCER LEVEL CONTROL w/2 FLOAT BACKUP	T2F	
SUBMERSIBLE TRANSDUCER LEVEL CONTROL w/4 FLOAT BACKUP	T4F	
INCOMING POWER SELECTION ⬇		
208 VOLT/SINGLE PHASE	208V1PH	
208 VOLT/THREE PHASE	208V3PH	
230 VOLT/SINGLE PHASE	230V1PH	
230 VOLT/THREE PHASE	230V3PH	
460 VOLT/THREE PHASE	460V3PH	
MOTOR STARTER OPTIONS SELCTION ⬇		
ACROSS THE LINE STARTERS	ATL	
VARIABLE FREQUENCY DRIVES	VFD	
SOFT STARTERS	SS	
FLOW & HEAD SELECTION (GPM @ TDH) ⬇		
EXAMPLE: 150 GPM @ 90 TDH = 150F90	(DIGITS)	
ADDITIONAL ADD-ON SELECTIONS ⬇		
DIESEL GENERATOR	S	
NATURAL GAS GENERATOR	T	
MANUAL TRANSFER SWITCH	U	
AUTOMATIC TRANSFER SWITCH	V	
POWER PEDESTAL	W	
GENERATOR RECEPTACLE	X	



5350 WEST 137TH ST.
BROOK PARK, OH 44142

PROPRIETARY AND CONFIDENTIAL

THE INFORMATION CONTAINED IN THIS DRAWING IS THE SOLE PROPERTY OF EXCEL FLUID GROUP. ANY REPRODUCTION IN PART OR AS A WHOLE WITHOUT WRITTEN PERMISSION IS PROHIBITED.

UNLESS OTHERWISE SPECIFIED:

DIMENSIONS ARE IN INCHES
TOLERANCES:
FRACTIONAL: ±1/16"
ANGULAR: ±0.5°
DECIMAL: ±.06

TITLE:

ASM, FRP PUMP STATION

DRAWN BY:

DWG. NO.

7200031

DATE:

SCALE: 1:55

SIZE:

B

REV: 0

SHEET:

2 of 2

DO NOT SCALE DRAWING