

4

3

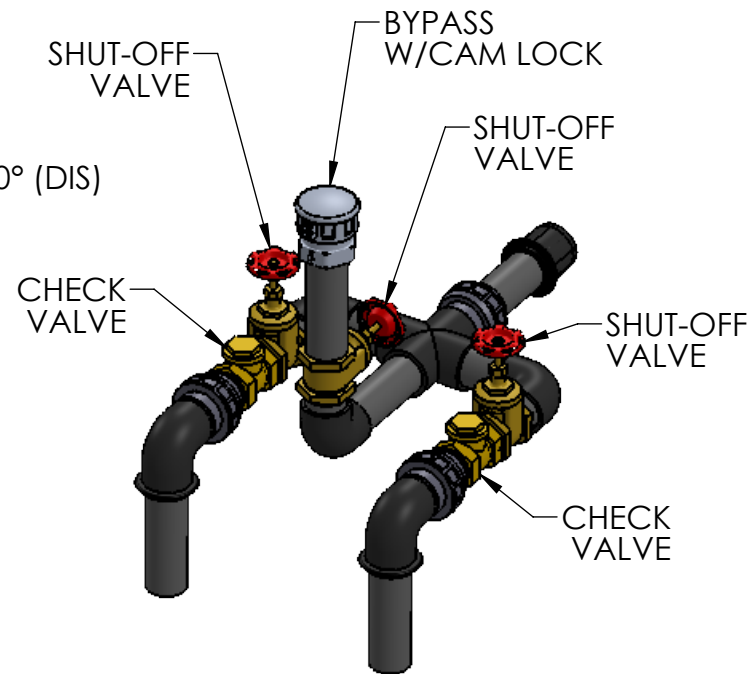
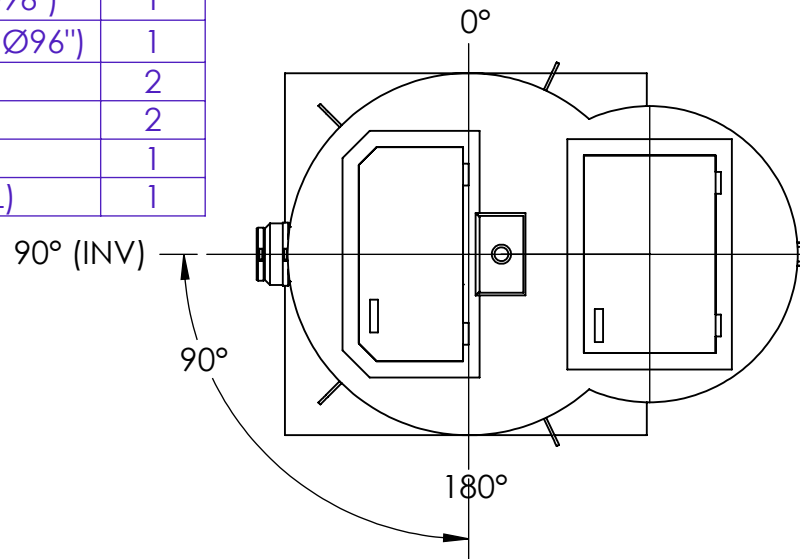
2

1

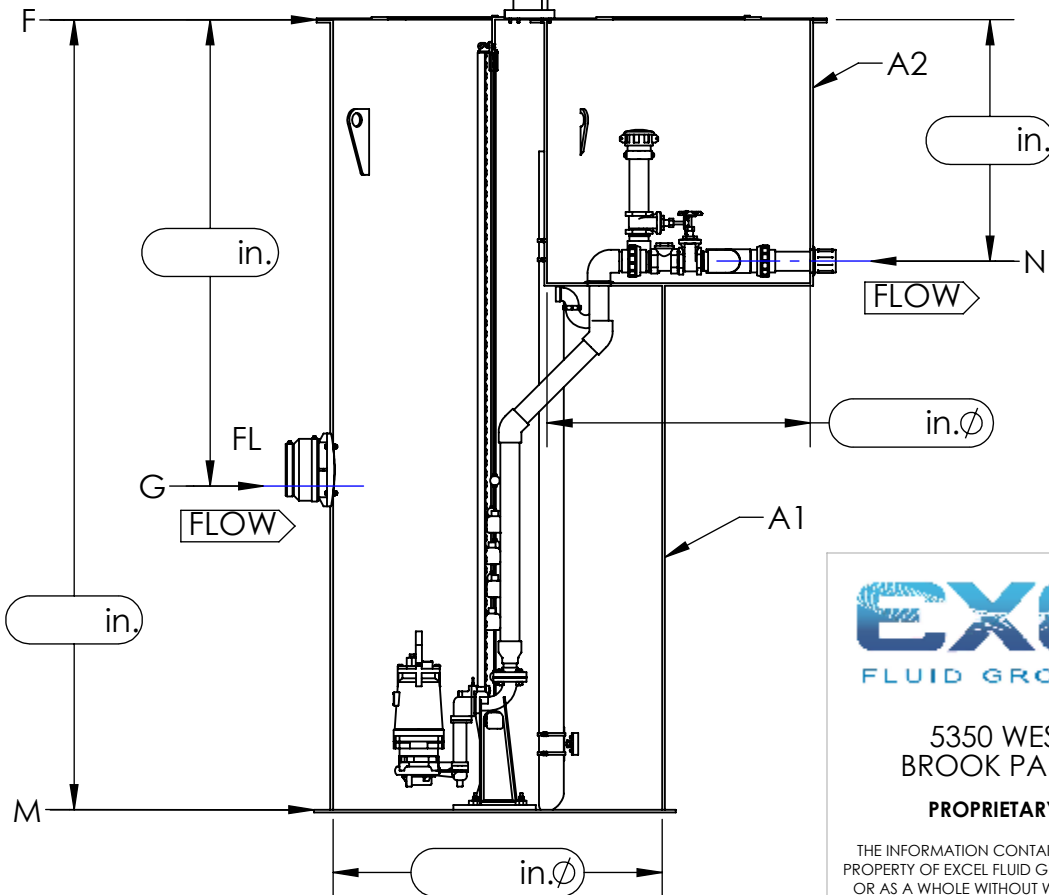
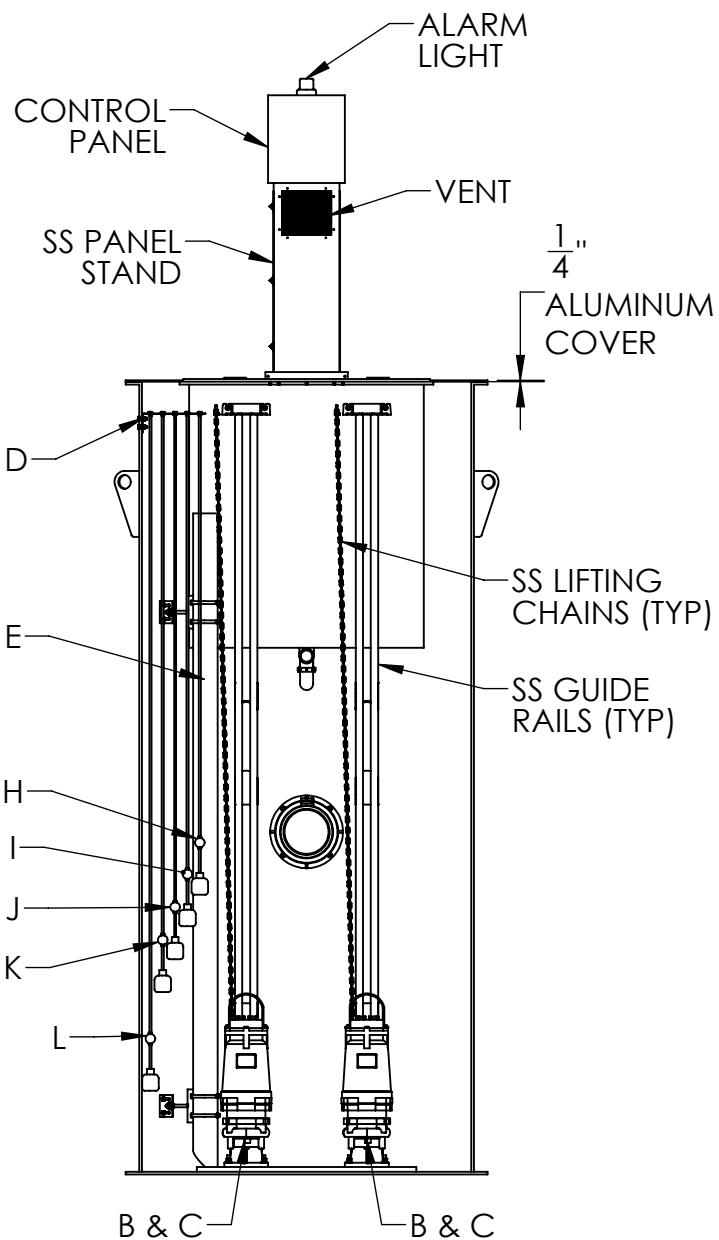
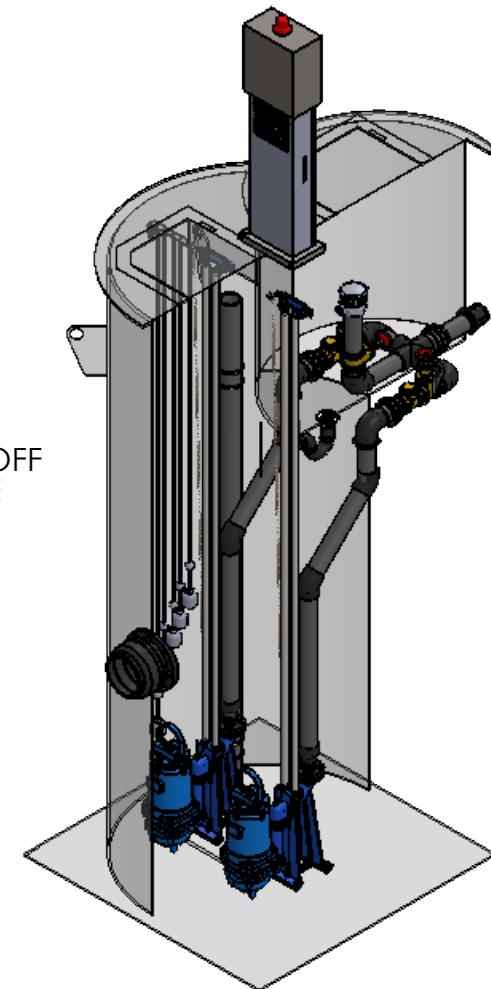
EXCEL FLUID GROUP PUMP STATION

ITEM:	DESCRIPTION:	QTY:
A1	FIBERGLASS BASIN (Ø36", Ø48", Ø60", Ø72", OR Ø96")	1
A2	FIBERGLASS INT-BASIN (Ø36", Ø48", Ø60", Ø72", OR Ø96")	1
B	SUBMERSIBLE PUMP	2
C	BASE ELBOW	2
D	FLOAT BRACKET ASM (#FLOATS OPTIONAL)	1
E	TRANDUCER W/STILLING TUBE ASM (OPTIONAL)	1

NOTE:  
1) CONFIRM INVERT PIPE SIZE, MATERIAL, AND ORIENTATION



EXAMPLE PIPE AND VALVE HEADER  
ADDITIONAL OPTIONS AVAILABLE, SEE SHEET 2



ITEM:	DESCRIPTION:	ELEVATION
F	TOP OF STATION	
G	INVERT (CONFIRM SIZE/TYPE)	
H	HIGH WATER ALARM FLOAT	
I	LAG PUMP ON FLOAT	
J	LEAD PUMP ON FLOAT	
K	PUMPS OFF FLOAT	
L	FLOAT (OPTIONAL 5TH FLOAT)	
M	FLOOR OF BASIN	
N	DISCHARGE	



5350 WEST 137TH ST.  
BROOK PARK, OH 44142

PROPRIETARY AND CONFIDENTIAL

THE INFORMATION CONTAINED IN THIS DRAWING IS THE SOLE PROPERTY OF EXCEL FLUID GROUP. ANY REPRODUCTION IN PART OR AS A WHOLE WITHOUT WRITTEN PERMISSION IS PROHIBITED.

UNLESS OTHERWISE SPECIFIED:

DIMENSIONS ARE IN INCHES  
TOLERANCES:  
FRACTIONAL: ±1/16"  
ANGULAR: ±0.5°  
DECIMAL: ±.06

DRAWN BY:

DATE:

SCALE: 1:35

DO NOT SCALE DRAWING

TITLE:

ASM, DUPLEX INT-FRP PUMP STATION

DWG. NO.

7200032

SIZE: B

REV: 0

SHEET: 1 of 2

4

3

2

1

B

B

A

A

4

3

2

1


EXCEL FLUID GROUP INTEGRATED FIBERGLASS PUMP STATION SELECTIONS:		
<b>PUMP STATION LAYOUT</b> ⤴		
INTEGRATED BASIN	IG	
<b>HATCH TYPE SELECTION</b> ⤴		
ALUMINUM	AL	
H2O TRAFFIC RATED	TR	
<b>DISCHARGE PIPE &amp; VALVE SIZE SELECTION</b> ⤴		
2 IN	2	
3 IN	3	
4 IN	4	
6 IN	6	
<b>PIPE MATERIAL SELECTION</b> ⤴		
DUCTILE IRON	D	
HDPE	H	
STAINLESS STEEL	S	
PVC	P	
<b>WET WELL SIZE SELECTION (DIA" X DEPTH") - SEE NOTE 1</b> ⤴		
EXAMPLE: Ø48" X 96" DEEP WET WELL Ø48" X 60" VALVE VAULT = 4896/4860 (DIGITS/DIGITS)		
* [ STRAIGHT: 36"MIN; 96"MAX INTEGRATED: 36"MIN; 72"MAX ]		
<b>PUMP STATION STYLE SELECTION</b> ⤴		
DUPLEX	D	
<b>PIPE HEADER AND VALVE SELECTION - SEE NOTE 2</b> ⤴		
BYPASS	01	
BYPASS, AIR RELEASE VALVE	02	
BYPASS, FLOW METER	05	
BYPASS, FLOW METER, AIR RELEASE VALVE	07	
BYPASS, DIAL GAUGE	09	
BYPASS, AIR RELEASE VALVE, DIAL GAUGE	10	
BYPASS, FLOW METER, DIAL GAUGE	11	
BYPASS, FLOW METER, AIR RELEASE VALVE, DIAL GAUGE	12	
ANTI-SYPHON VALVE	13	
BYPASS, ANTI-SYPHON VALVE	14	
<b>ADDITIONAL ADD-ON SELECTIONS</b> ⤴		
WET WELL AERATION BLOWER	I	
ALUMINUM LADDER	K	
STAINLESS STEEL LADDER	L	
INLET BAFFLE	O	
** INLET TRASH BASKET W/GUIDE RAILS	P	
<b>SUBMERSIBLE PUMP BRAND SELECTION</b> ⤴		
SUBMERSIBLE PUMP BRAND	(WRITE-IN)	

Additional Comments (Preferences, etc.):

- NOTES:
- 1) BASIN DEPTH PROVIDED IN INCREMENTS OF 6"
  - 2) PUMP STATION ADD-ON LETTERS ARE INCLUDED AT THE END OF YOUR MODEL NUMBER
  - 3) \* INTEGRATED BASIN CANNOT BE LARGER THAN THE STRAIGHT BASIN
  - 4) \*\* INLET TRASH BASKET W/GUIDE RAILS CANNOT BE USED ON BASINS SMALLER THAN Ø72"

**SUBMERSIBLE PUMP TYPE SELECTION** ⤴

GRINDER PUMP	GR	
EXPLOSION PROOF GRINDER PUMP	XGR	
SEWAGE EJECTOR PUMP	EJ	
EXPLOSION SEWAGE EJECTOR PUMP	XEJ	
NON-CLOG PUMP	NC	
EXPLOSION PROOF NON-CLOG PUMP	XXNC	
AIR FILLED SOLIDS HANDLING PUMP	ASH	
EXPLOSION PROOF AIR FILLED SOLID HANDLING PUMP	XASH	
AIR FILLED CHOPPER PUMP	ASC	
EXPLOSION PROOF AIR FILLED CHOPPER PUMP	XASC	
OIL FILLED SOLIDS HANDLING PUMP	OSH	
EXPLOSION PROOF OIL FILLED SOLIDS HANDLING PUMP	XOSH	
OIL FILLED CHOPPER PUMP	OSC	
<b>LEVEL CONTROL SELECTIONS</b> ⤴		
4 FLOAT LEVEL CONTROL	4F	
5 FLOAT LEVEL CONTROL	5F	
SUBMERSIBLE TRANSDUCER LEVEL CONTROL	T	
SUBMERSIBLE TRANSDUCER LEVEL CONTROL w/2 FLOAT BACKUP	T2F	
SUBMERSIBLE TRANSDUCER LEVEL CONTROL w/4 FLOAT BACKUP	T4F	
<b>INCOMING POWER SELECTION</b> ⤴		
208 VOLT/SINGLE PHASE	208V1PH	
208 VOLT/THREE PHASE	208V3PH	
230 VOLT/SINGLE PHASE	230V1PH	
230 VOLT/THREE PHASE	230V3PH	
460 VOLT/THREE PHASE	460V3PH	
<b>MOTOR STARTER OPTIONS SELECTION</b> ⤴		
ACROSS THE LINE STARTERS	ATL	
VARIABLE FREQUENCY DRIVES	VFD	
SOFT STARTERS	SS	
<b>FLOW &amp; HEAD SELECTION (GPM @ TDH)</b> ⤴		
EXAMPLE: 150 GPM @ 90 TDH = 150F90	(DIGITS)	
<b>ADDITIONAL ADD-ON SELECTIONS</b> ⤴		
DIESEL GENERATOR	S	
NATURAL GAS GENERATOR	T	
MANUAL TRANSFER SWITCH	U	
AUTOMATIC TRANSFER SWITCH	V	
POWER PEDESTAL	W	
GENERATOR RECEPTACLE	X	

 <p>5350 WEST 137TH ST. BROOK PARK, OH 44142</p> <p><b>PROPRIETARY AND CONFIDENTIAL</b></p> <p><small>THE INFORMATION CONTAINED IN THIS DRAWING IS THE SOLE PROPERTY OF EXCEL FLUID GROUP. ANY REPRODUCTION IN PART OR AS A WHOLE WITHOUT WRITTEN PERMISSION IS PROHIBITED.</small></p>	UNLESS OTHERWISE SPECIFIED:	TITLE:
	DIMENSIONS ARE IN INCHES TOLERANCES: FRACTIONAL: ±1/16" ANGULAR: ±0.5° DECIMAL: ±.06	ASM, DUPLEX INT-FRP PUMP STATION
	DRAWN BY:	DWG. NO.
	DATE:	7200032
	SCALE: 1:55	SIZE: <b>B</b> REV: <b>0</b> SHEET: <b>2 of 2</b>
DO NOT SCALE DRAWING		

4

3

2

1